



# 慈溪市万捷电子有限公司

## CIXI WANJIE ELECTRONIC CO., LTD

### REVISION RECORD

REV.	DESCRIPTION	ECN No.	APPROVED	DATE

### UL/CUL 技术参数

UL/CUL Technical Data	cWJ® US			
等级 Use Group	B	C	D	
额定电压 Rated Voltage [V]	300	-	300	
额定电流 Rated Current [A]	15	-	10	

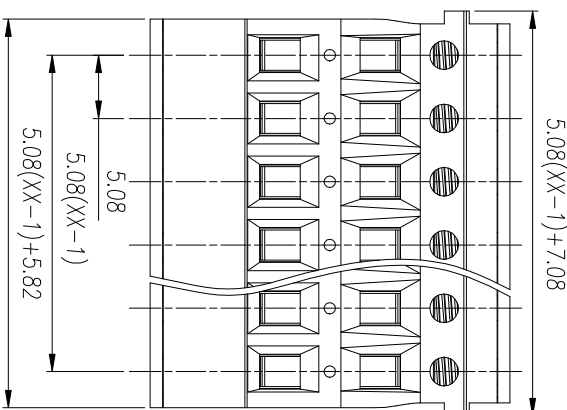
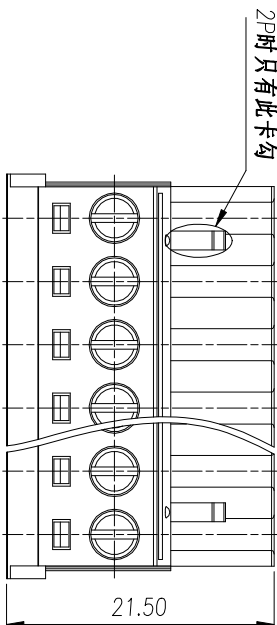
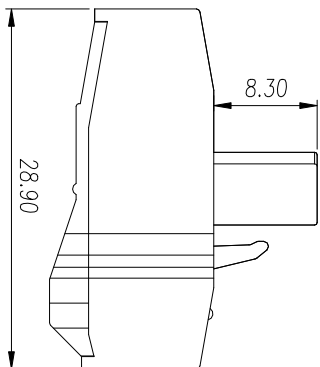
接线范围 Wire Range	28-12
单/多芯线 Solid/Stranded [AWG]	
耐电压 Withstanding Voltage	1600V/1Min

### IEC 技术参数

IEC Technical Data	IEC61984		
过电压类别 Overvoltage Category	III	III	II
污染等级 Contamination Class	3	2	2
额定电压 Rated Voltage [V]	250	320	630
额定电流 Rated Current [A]	12	12	12
额定冲击电压 Impulse withstand voltage [kV]	4.0	4.0	4.0

导线截面面积 Conductor cross section	0.2-2.5
硬质/柔性导线 Solid/flexible [mm <sup>2</sup> ]	
材料 Material	
绝缘材料 Insulation Material	PA66
阻燃等级 Inflammability	UL94V-0
导体材料 Conductor Material	铜合金 Copper alloy
导体表面镀层 Conductive Coating	镀锡 Sn Plated

一般参数 Other Data	
间距 Pitch /极数 Poles [mm]/[P]	5.08 /02-24
剥线长度 Stripping Length [mm]	7-8
螺丝 Screw/扭矩 Torque(Max) [N.m]	M3.0/5
工作温度 Operating temperature [°C]	40-105
焊接温度 Soldering temperature [°C]	-
引脚/尺寸 Pin Dimensions [mm]	-
PCB板孔径 PCB Hole Diameter [mm]	-



linear dimension(Tolerances Standard GB/T 14486-2008)

variable range	6 to	over 6 to 10	over 10 to 30	over 30 to 60	over 60 to 100	over 100 to 160	over 160 to 10	over 10 to 100	over 100 to 100	
tolerance	±0.20	±0.30	±0.50	±0.70	±1.00	±1.30	±1.60	0.10	0.30	0.60

单位 / UNITS mm 尺寸 / SIZE A4 比例 / SCALE 2:1

第三视图/THIRD ANGLE PROJECTION

名称 / TITLE WJ2EDGKH-5.08-XXP-1YY-00A

版本 / REV V0

慈溪市万捷电子有限公司  
CIXI WANJIE ELECTRONIC CO., LTD