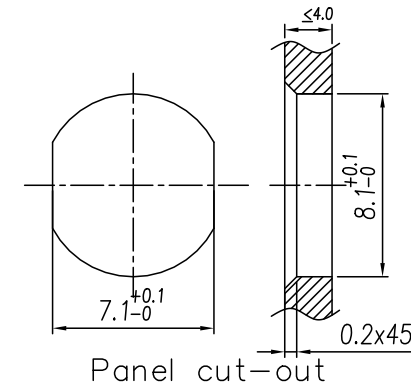


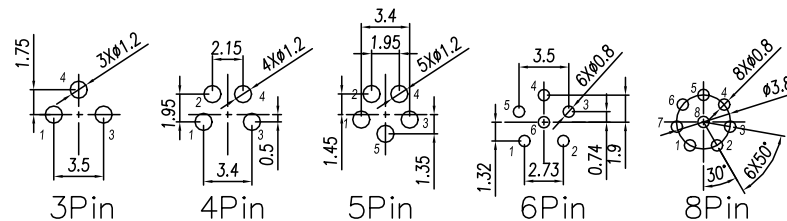
REVISION RECORD				
REV.	DESCRIPTION	ECN No.	APPROVED	DATE
V0	--			2021.08.18

IEC 技术参数 IEC Technical Data		IEC61076-2-104	
工作温度 Operating temperatur [°C]		-25~+80	
防护等级 IP Class (IN Locked condition)		IP67	
额定电压 Rated Voltage [V]			
额定电流 Rated Current [A]			
导线截面积 Conductor cross section 硬质/柔性导线 Solid/ flexible [mm ²]			
接线范围 Wire Range 单/多芯线 Solid/Stranded [AWG]			
材料 Material			
绝缘材料 Insulation Material		PA 66	
阻燃等级 Imflammability		UL94V-0	
导体材料 Contact Material		铜合金 Copper alloy	
导体镀层 Contactive Coating		镀金 Gold Plated	
螺母/螺丝 Connector Nut/Screw		Brass With Nickel Plated 铜镀镍	
符合RoHS环保要求			

Contacts Pin 数	3Pin	4Pin	5Pin	6Pin	8Pin
Coding 编码	A-Coding	A-Coding	B-Coding	A-Coding	A-Coding
Rated Current 额定电流	3A	3A	3A	1.5A	1.5A
Rated Voltage 额定电压	60V	60V	30V	30V	30V
PART NO.品名:	M08-A03-ST0-M01-BQ1	M08-A04-ST0-M01-BQ1	M08-B05-ST0-M01-BQ1	M08-A06-ST0-M01-BQ1	M08-A08-ST0-M01-BQ1
Customized.定制化:



PCB Layout:



F	O-Ring	O-Ring FKM Black	pcs	1	
E	Resin	Black epoxy resin for sealing	g	1	
D	Nut	Nut:M8X1.0,Brass With Nickel Plated	pcs	1	
C	Housing	M8 Male,Black PA66	pcs	1	
B	Terminal	Male Terminal ,Brass With Gold Plated	pcs	X	
A	Screw	Screw M8X1.0,Brass With Nickel Plated	pcs	1	
编号 No.	料号 Materials.No	品名 Name	材料规格 Description	单位 Unit	用量 Qty

NO SPECIFIED TOLERANCE		Cus' P/N:		Order No.:		Drawing No.:	
		DES. Jun DATE		---		SP-02-M000XX	
LINEAR	0.5-6	±0.1	CHK.	DATE	SIZE	mm	THIRD ANGLE PROJECTION
	6-30	±0.2					
	>30	±2%	APP.	DATE	A4		1 of 1
ANGLES	±1°		SCALE	X:X	文件等级:外部公开		



慈溪市万捷电子有限公司
CIXI WANJIE ELECTRONIC CO., LTD

PART NO.:
M08-AXX-ST0-M01-BQ1